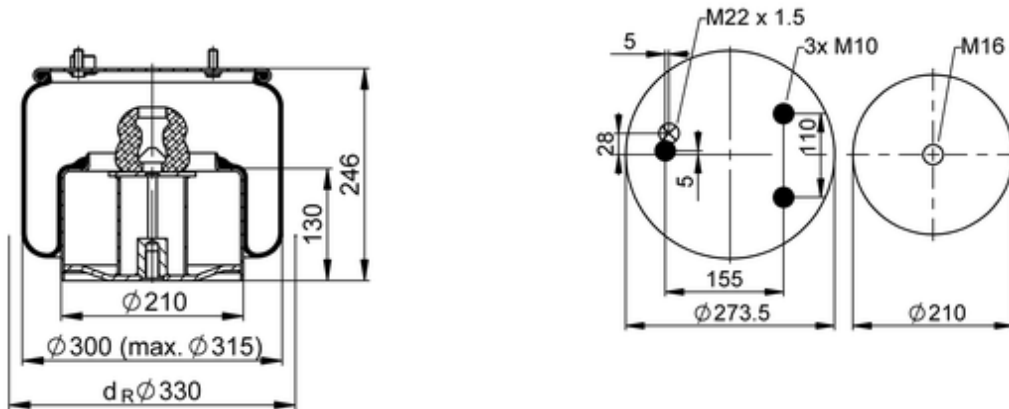


**836 N P14**
**70540**


bolt or stud   
 hole   
 combination stud   
 air inlet   
 stud and nut

	9,7 kg
	K008
	M10: max. 35 Nm
	M16: max. 130 Nm
	M22x1.5: max. 20 Nm

**OE Manufacturer/Part No.**

Manufacturer	Original Part No.	Model
VDL Bus	45015337	
VDL Bus	5015337	