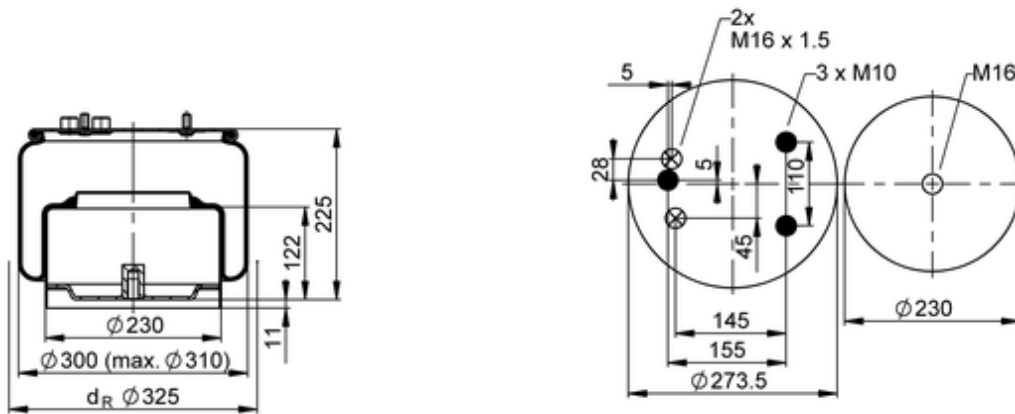


836 N P09
68042


bolt or stud
 hole
 combination stud
 air inlet
 stud and nut

	7,5 kg
	K008
	M10: max. 35 Nm
	M16: max. 130 Nm
	M16x1.5: max. 40 Nm

OE Manufacturer/Part No.

Manufacturer	Original Part No.	Model
DAF	1 622 849	
DAF	1 697 683	CF 75-85
DAF	1 697 683	XF 75-85