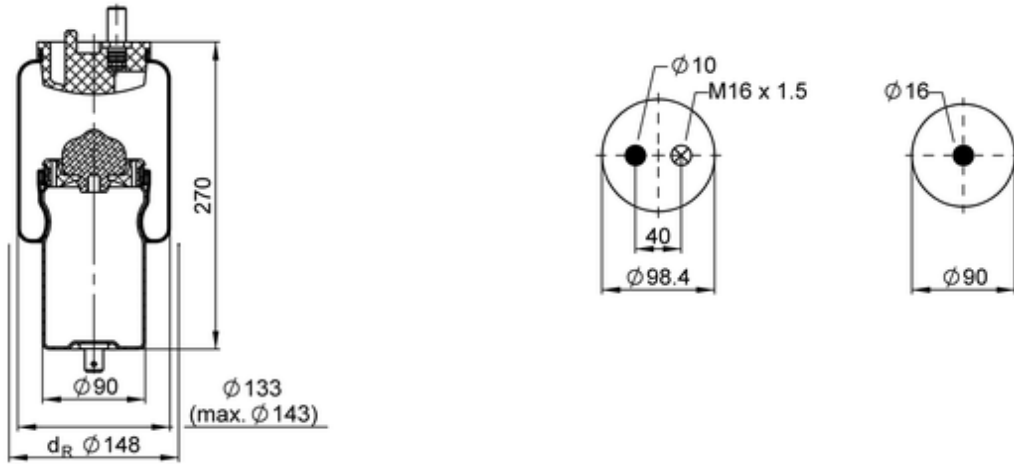


816 Z
62098


- bolt or stud
- hole
- combination stud
- air inlet
- stud and nut

	3,6 kg
	M16x1.5: max. 20 Nm

OE Manufacturer/Part No.

Manufacturer	Original Part No.	Model
Renault	5.010.320.096	Magnum