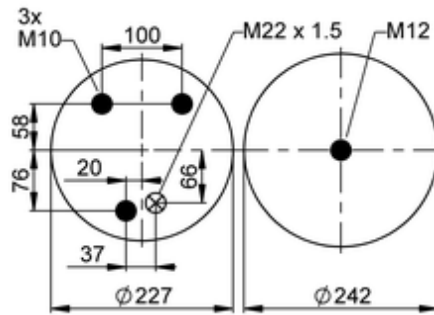
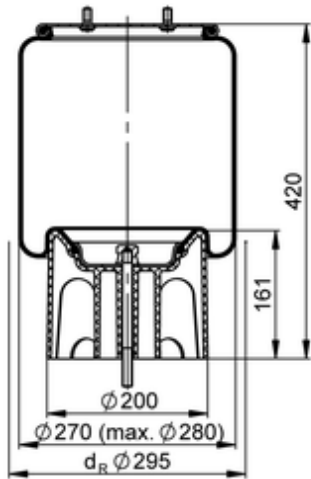








792 N P05

601878



-  bolt or stud
-  hole
-  combination stud
-  air inlet
-  stud and nut

	5,7 kg
	10087499
	
	M10: max. 45 Nm
	M12: max. 60 Nm
	M22x1.5: max. 20 Nm

**OE Manufacturer/Part No.**

Manufacturer	Original Part No.	Model
DAF	2 106 745	FAR High