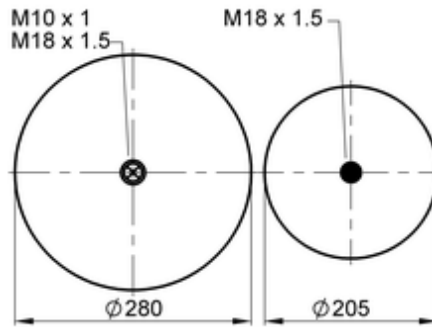
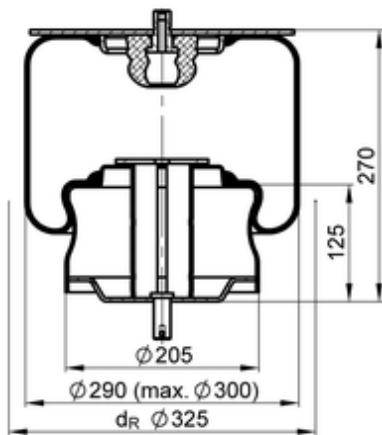


**782 MB-3**
**74319**


- bolt or stud
- hole
- combination stud
- air inlet
- stud and nut

	9,3 kg
	2686082000
	M18x1.5: max. 80 Nm

**OE Manufacturer/Part No.**

Manufacturer	Original Part No.	Model
ZF Sachs	0501 210 851	
Temsa	2686-082-000Y	
Jonckheere	26.1602033.00	
IRISBUS	5.010.190.888	FR 1 / Tracer