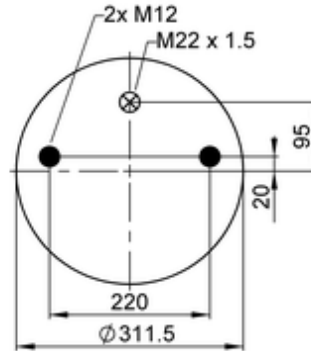
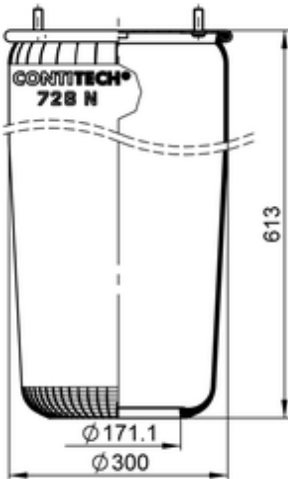


726 N P01
67172


- bolt or stud
- hole
- combination stud
- air inlet
- stud and nut

	6,7 kg
	10086731
	M12: max. 70 Nm
	M22x1.5: max. 20 Nm

OE Manufacturer/Part No.

Manufacturer	Original Part No.	Model
Gigant	246192	
Gigant	700246192	
Gigant	3661	726 N