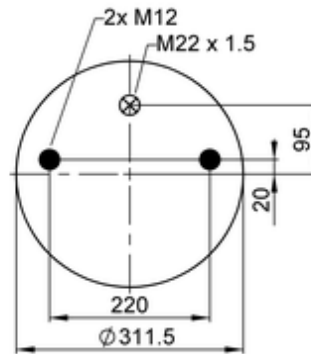
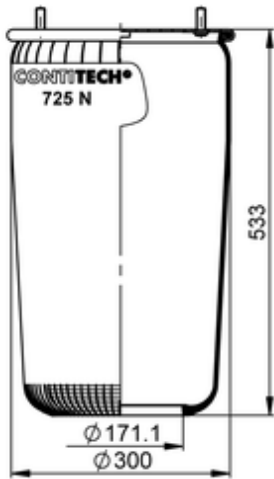


725 N P01
67170


- bolt or stud
- hole
- combination stud
- air inlet
- stud and nut

		5,6 kg
		10086729
		M12: max. 70 Nm
		M22x1.5: max. 20 Nm

OE Manufacturer/Part No.

Manufacturer	Original Part No.	Model
Gigant	700246149	
Gigant	246149	NLRM / NLRS Series
Gigant	3653	725 N