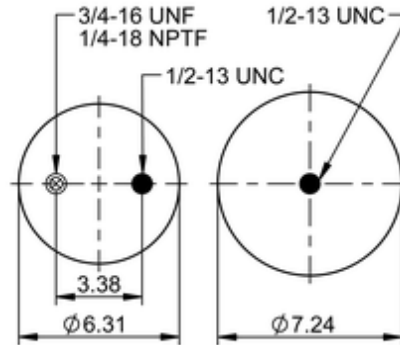
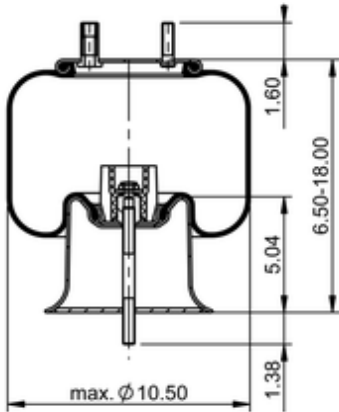







**6 6.5F-15 S 211**

**78171**



	8.8 lb
	9313995
	1/2-13 UNC: max. 35 lbf ft
	1/4-18 NPTF: max. 22 lbf ft
	3/4-16 UNF: max. 50 lbf ft

**Cross-reference**

TRP	AS02113
-----	---------

**OE Manufacturer/Part No.**

Manufacturer	Original Part No.	Model
SAF Holland	90557412	

