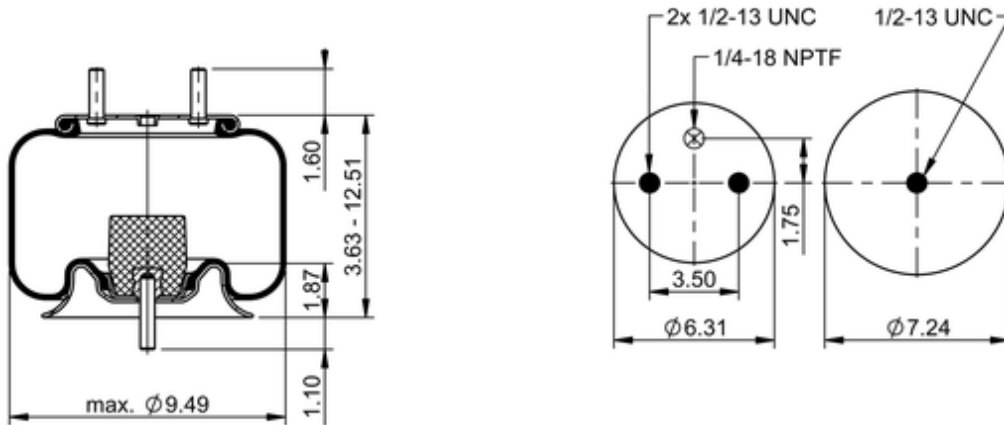


6 6.5D-11 S 034
68115


	7.4 lb
	9312902
	1/2-13 UNC: max. 35 lbf ft
	1/4-18 NPTF: max. 22 lbf ft

Cross-reference

Firestone Style	IT14CB-1
Firestone No.	W01-358-5297
Triangle	AS-8034
TRP	AS52970
Automann	1DK10D-5297

OE Manufacturer/Part No.

Manufacturer	Original Part No.	Model
Watson & Chalin	AS-0106	