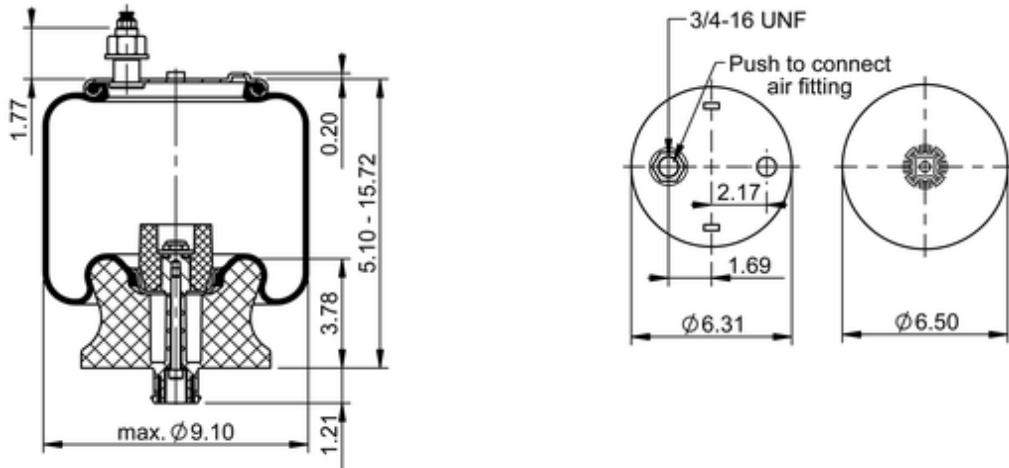






6 6.5B-11 P 237

69916



	7.5 lb
	9314166
	1/4-18 NPTF: max. 22 lbf ft
	3/4-16 UNF: max. 50 lbf ft

### Cross-reference

TRP	AS02373
Automann	1DK10A-P237

### OE Manufacturer/Part No.

Manufacturer	Original Part No.	Model
Hendrickson	67304-2	

