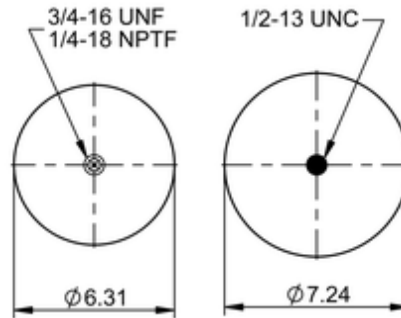
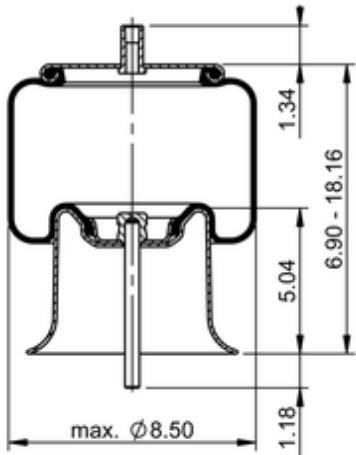







6 6.5-13 S 044

68128



	8.5 lb
	9312901
	1/2-13 UNC: max. 35 lbf ft
	1/4-18 NPTF: max. 22 lbf ft
	3/4-16 UNF: max. 50 lbf ft

Cross-reference

Firestone Style	IT14C-3
Firestone No.	W01-358-5433
Triangle	AS-8044
TRP	AS54330
Automann	1DK10B-5433

OE Manufacturer/Part No.

Manufacturer	Original Part No.	Model
Watson & Chalin	AS-0069	