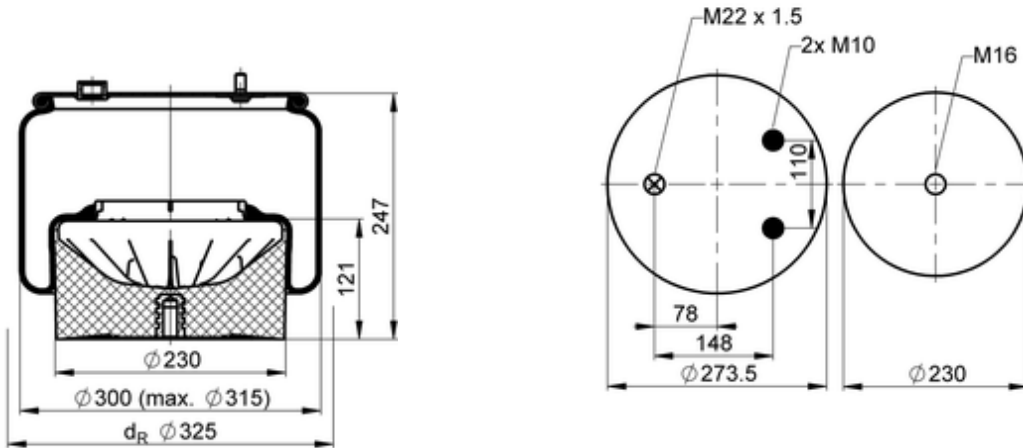


6754 N P03
601877


bolt or stud
 hole
 combination stud
 air inlet
 stud and nut

	5,4 kg
	10087498
	M10: max. 45 Nm
	M16: max. 170 Nm
	M22x1.5: max. 20 Nm

OE Manufacturer/Part No.

Manufacturer	Original Part No.	Model
DAF	2 028 899	FT, FA