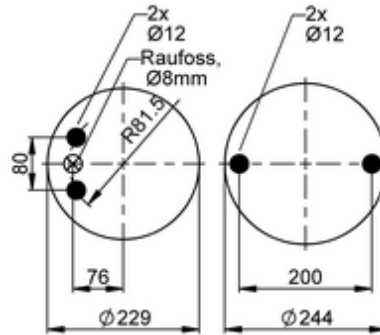
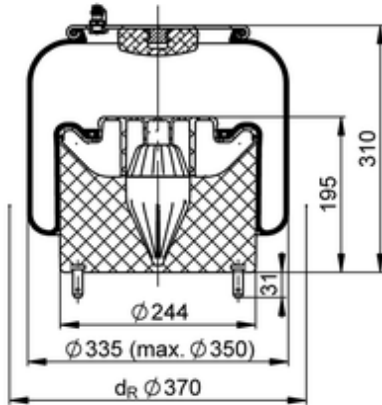


6717 N P01

54527



- bolt or stud
- hole
- combination stud
- air inlet
- stud and nut

|    |        |
|----|--------|
| kg | 7,5 kg |
|    | K031   |
|    |        |

**OE Manufacturer/Part No.**

| Manufacturer | Original Part No. | Model            |
|--------------|-------------------|------------------|
| Scania       | 2373115           | P,R,T-Series STD |