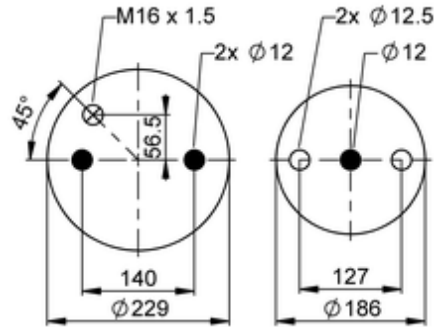
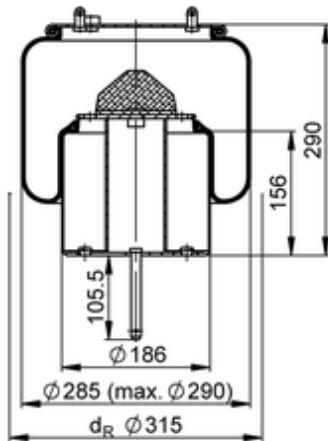


6714 N P02
53879


- bolt or stud
- hole
- combination stud
- air inlet
- stud and nut

	8,3 kg
	K031
	M16x1.5: max. 40 Nm

OE Manufacturer/Part No.

Manufacturer	Original Part No.	Model
Scania	2024290	
Scania	1726242	ADA1300
Scania	2024287	ADA1300