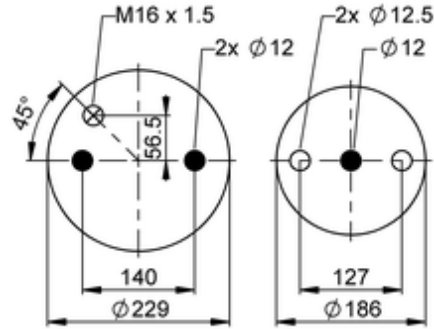
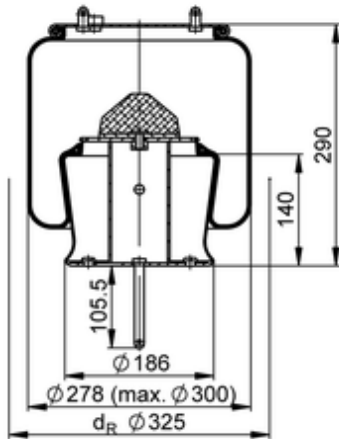

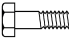




6710 N P03

53874



bolt or stud   
  hole   
 ⊗ combination stud   
 ⊗ air inlet   
 ● stud and nut

 kg	8 kg
	K031
	
	M16x1.5: max. 40 Nm

### OE Manufacturer/Part No.

Manufacturer	Original Part No.	Model
Scania	1726240	ADA1300, ASA1300