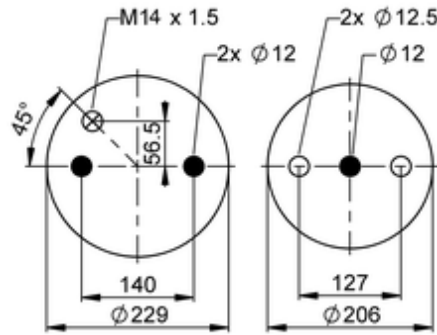
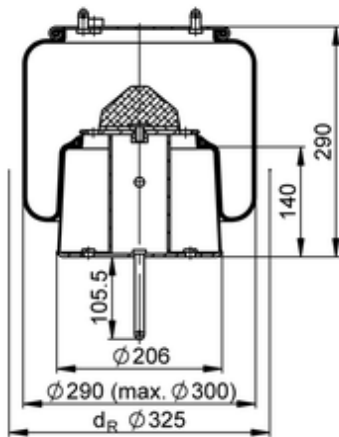


6710 N P02
54525


- bolt or stud
- hole
- combination stud
- air inlet
- stud and nut

	8,4 kg
	K031
	M14x1.5: max. 40 Nm

OE Manufacturer/Part No.

Manufacturer	Original Part No.	Model
Scania	1440305	ADA1300