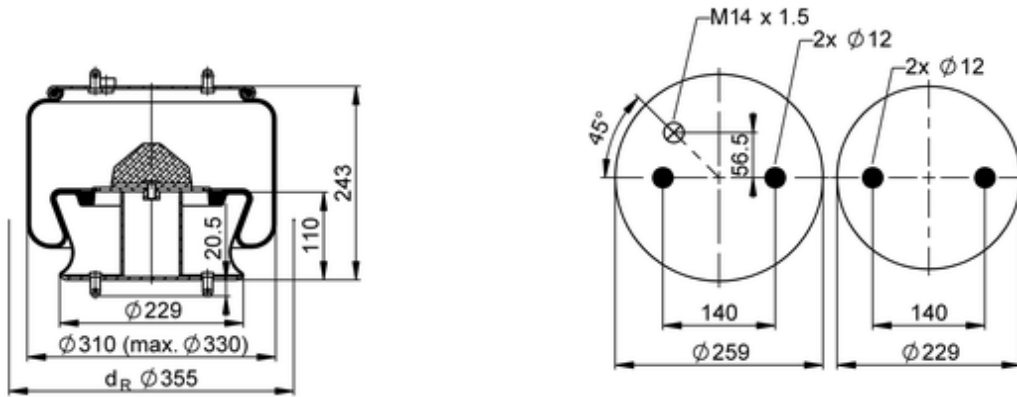


6708 N P01
54523


bolt or stud
 hole
 ⊗ combination stud
 ⊗ air inlet
 ● stud and nut

	8,7 kg
	K031
	M14x1.5: max. 40 Nm

OE Manufacturer/Part No.

Manufacturer	Original Part No.	Model
Scania	1440302	AMI700