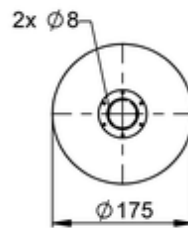
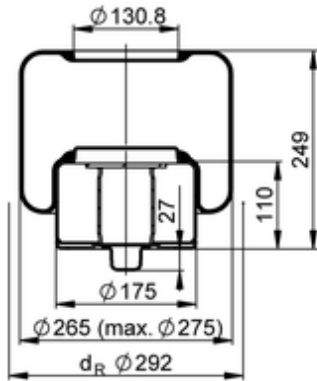


6637 N P01
600712


- bolt or stud
- hole
- combination stud
- air inlet
- stud and nut

	4,2 kg

OE Manufacturer/Part No.

Manufacturer	Original Part No.	Model
Volvo	22 007 135	9700, B11R