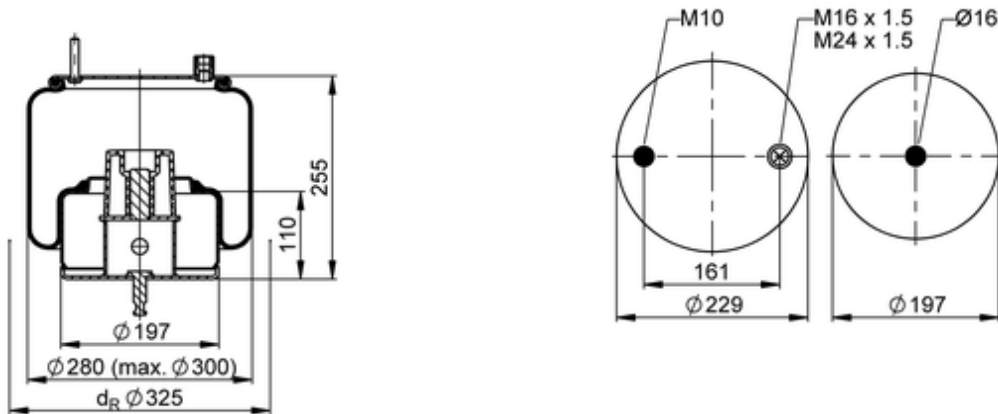


**6632 N P02**
**53869**


- bolt or stud
- hole
- combination stud
- air inlet
- stud and nut

	7 kg
	M10: max. 40 Nm
	M16x1.5: max. 20 Nm
	M24x1.5: max. 60 Nm

**OE Manufacturer/Part No.**

Manufacturer	Original Part No.	Model
Renault	21 321 521	T,D-Series low
Renault	7421321521	T,D-Series low