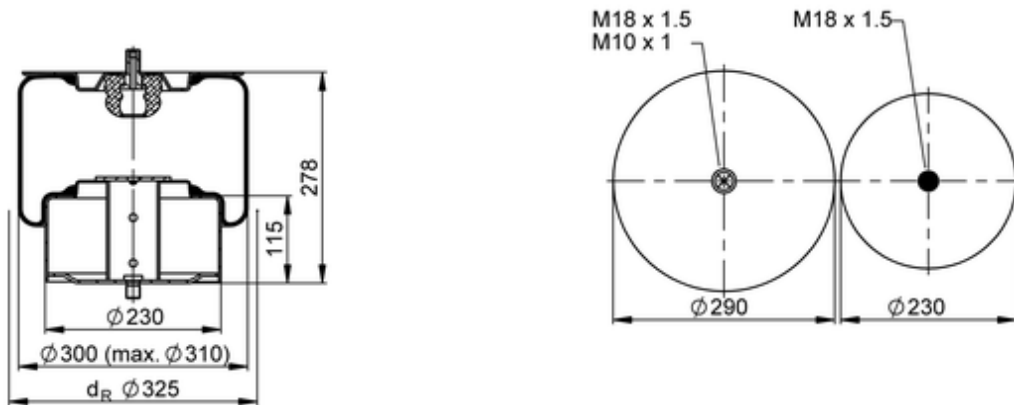


661 N P02
60025


- bolt or stud
- hole
- combination stud
- air inlet
- stud and nut

	8,8 kg
	M18x1.5: max. 80 Nm

OE Manufacturer/Part No.

Manufacturer	Original Part No.	Model
ZF Sachs	0501 215 443	
ZF Sachs	0501 209 513	