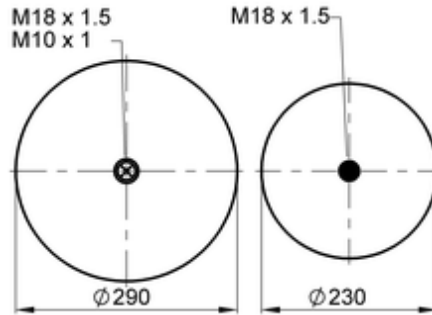
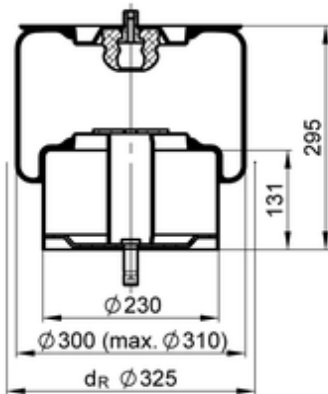


661 N P01
60638


- bolt or stud
- hole
- combination stud
- air inlet
- stud and nut

	8,3 kg
	M18x1.5: max. 80 Nm

OE Manufacturer/Part No.

Manufacturer	Original Part No.	Model
AYATS	31001569	
IRISBUS	5.010.073.846	R 333
IRISBUS	5.010.073.846	Tracer