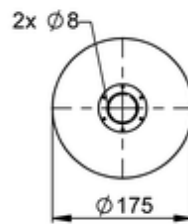
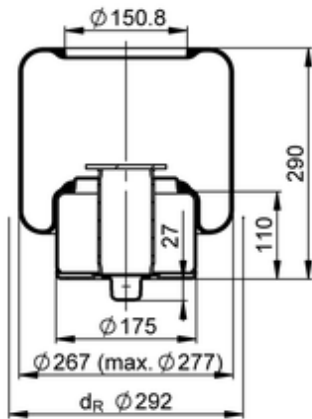




6619 N P01

600708



- bolt or stud
- hole
- combination stud
- air inlet
- stud and nut

	4,6 kg
	

OE Manufacturer/Part No.

Manufacturer	Original Part No.	Model
Volvo	22 445 751	B9R, B11R