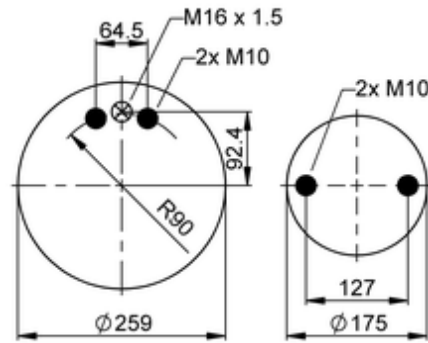
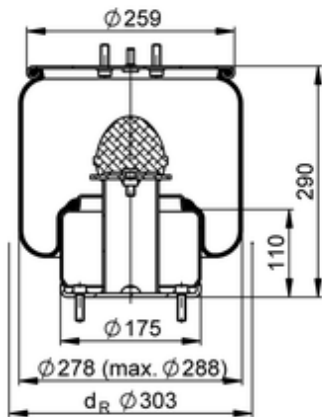


**6616 N P02**
**600706**


- bolt or stud
- hole
- combination stud
- air inlet
- stud and nut

|  |                     |
|--|---------------------|
|  | 7,4 kg              |
|  |                     |
|  | M10: max. 40 Nm     |
|  | M16x1.5: max. 20 Nm |

**OE Manufacturer/Part No.**

| Manufacturer | Original Part No. | Model     |
|--------------|-------------------|-----------|
| Volvo        | 70 397 032        |           |
| Volvo        | 70 397 040        |           |
| Volvo        | 21 715 299        | 9700, B12 |