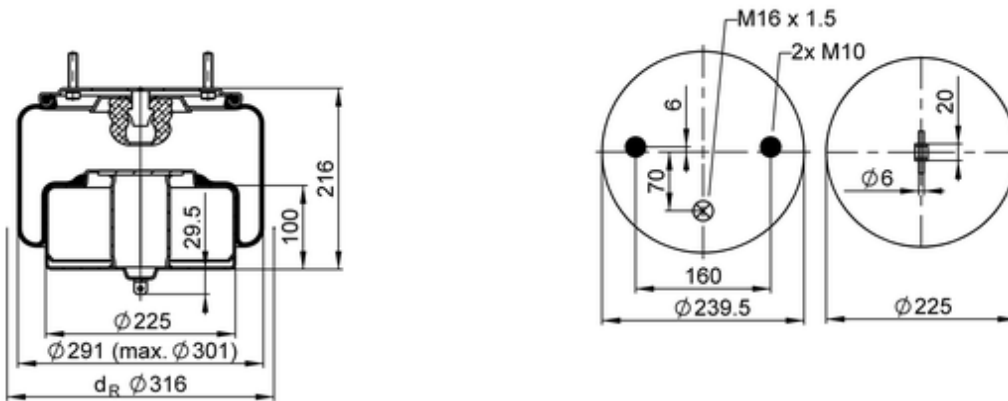


6613 N P01
69727


bolt or stud
 hole
 combination stud
 air inlet
 stud and nut

	7,6 kg
	K006
	M10: max. 40 Nm
	M16x1.5: max. 20 Nm

OE Manufacturer/Part No.

Manufacturer	Original Part No.	Model
Volvo	20 452 144	
Volvo	20 554 762	FH low
Volvo	21 811 323	FM / FH low, Xlow
Volvo	21 961 475	FM / FH low, Xlow