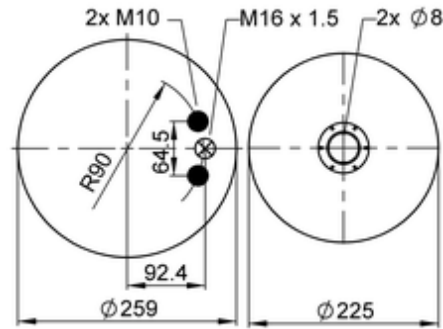
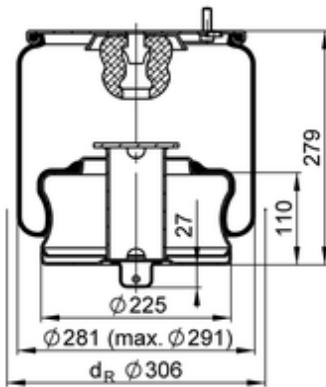


6603 N P02
69575


bolt or stud
 hole
 X combination stud
 X air inlet
 ● stud and nut

kg	8,3 kg
	M10: max. 40 Nm
	M16x1.5: max. 20 Nm

OE Manufacturer/Part No.

Manufacturer	Original Part No.	Model
Volvo	3 195 240	
Volvo	20 573 311	B 12 R
Volvo	20 573 311	B 12 M