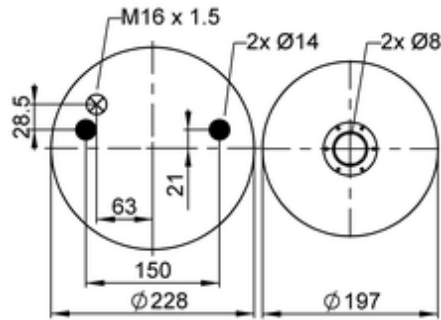
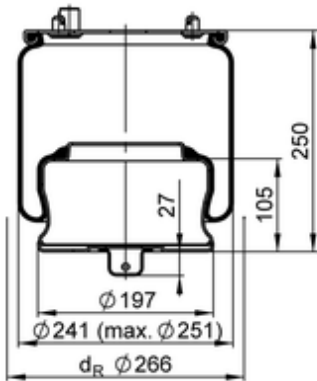

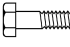




6600 N P01

62967



bolt or stud   
  hole   
 X combination stud   
 X air inlet   
 ● stud and nut

 kg	5 kg
	K024
	
	M16x1.5: max. 20 Nm

### OE Manufacturer/Part No.

Manufacturer	Original Part No.	Model
Volvo	1 076 420	
Volvo	20 573 109	
Volvo	70 313 718	