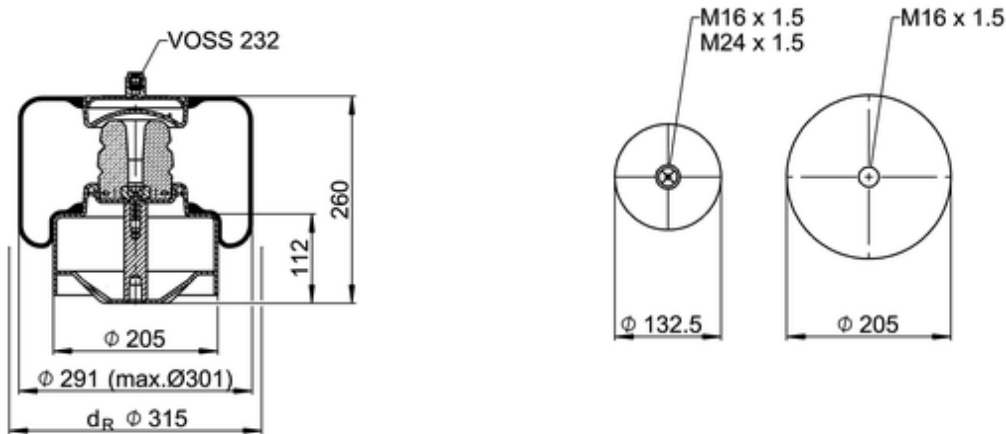


**644 N P21**
**62444**


- bolt or stud
- hole
- combination stud
- air inlet
- stud and nut

	7 kg
	644 N P01
	K021
	M16x1.5: max. 80 Nm
	M24x1.5: max. 100 Nm

**OE Manufacturer/Part No.**

Manufacturer	Original Part No.	Model
EvoBus	A 628 320 04 25	Citaro
EvoBus	A 628 320 04 25	OC 500 CBC