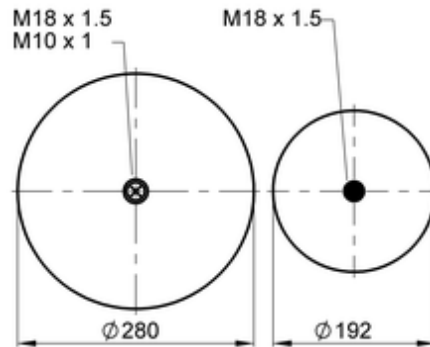
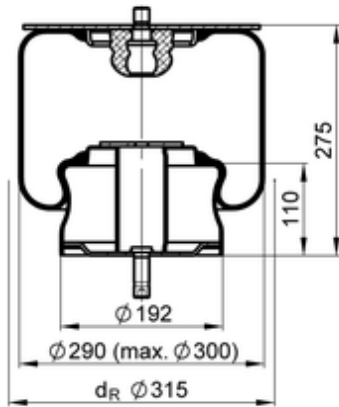


644 N P04
61774


- bolt or stud
- hole
- combination stud
- air inlet
- stud and nut

	8,6 kg
	M18x1.5: max. 80 Nm

OE Manufacturer/Part No.

Manufacturer	Original Part No.	Model
Autosan	1029-900-970	