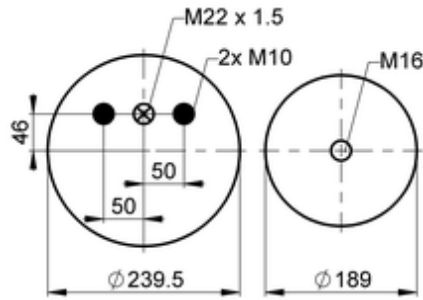
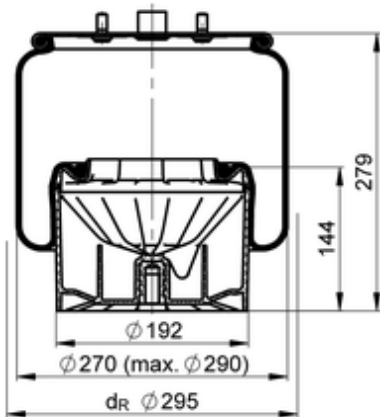


6431 N P11
601876


- bolt or stud
- hole
- combination stud
- air inlet
- stud and nut

	4,8 kg
	10087497
	M10: max. 45 Nm
	M16: max. 170 Nm
	M22x1.5: max. 20 Nm

OE Manufacturer/Part No.

Manufacturer	Original Part No.	Model
DAF	2 028 898	
DAF	2 305 237	FT, FA