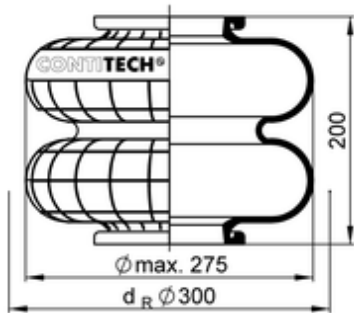



620 N Hydro 34 bar

2680623000



- bolt or stud
- hole
- combination stud
- air inlet
- stud and nut

 kg	2,1 kg
--	--------

OE Manufacturer/Part No.

Manufacturer	Original Part No.	Model
Gigant	700196034	
Gigant	196034	