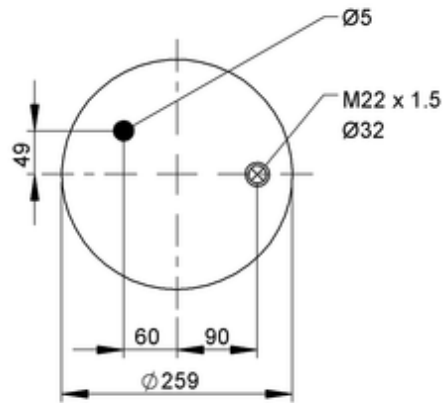
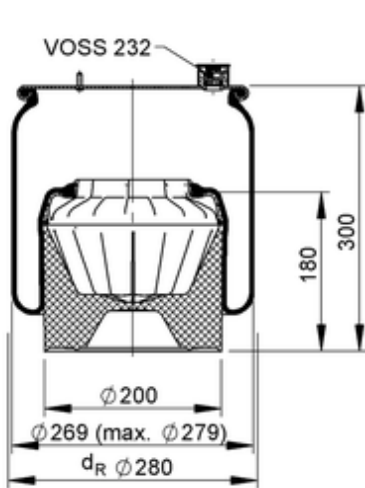





6173 N P42

601652



-  bolt or stud
-  hole
-  combination stud
-  air inlet
-  stud and nut

 kg	5 kg
	6173 N P40
	

OE Manufacturer/Part No.

Manufacturer	Original Part No.	Model
Mercedes	961 320 46 21	
Mercedes	961 320 54 21	
Mercedes	961 320 42 21	
Mercedes	961 320 69 21	
Mercedes	A 961 320 42 21	Actros MP4
Mercedes	A 961 320 69 21	Actros MP4
Mercedes	A 961 320 54 21	Actros MP4
Mercedes	A 961 320 46 21	Actros MP4

