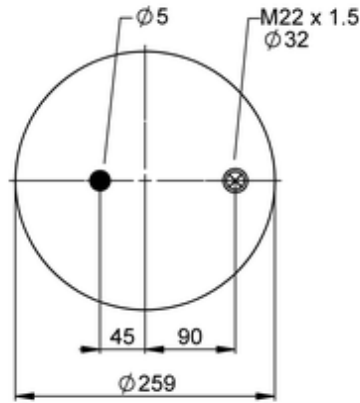
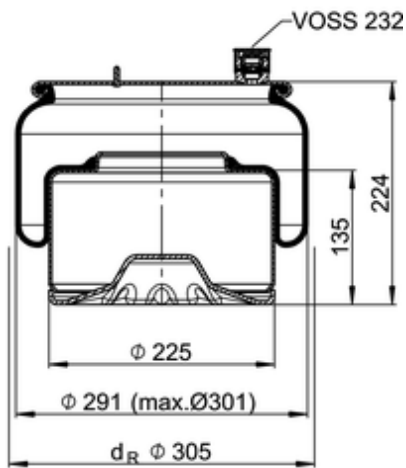










6126 N P41

74988



-  bolt or stud
-  hole
-  combination stud
-  air inlet
-  stud and nut

| | |
|---|----------|
|  | 7,4 kg |
|  | 10087051 |
|  | |

OE Manufacturer/Part No.

| Manufacturer | Original Part No. | Model |
|--------------|-------------------|------------|
| Mercedes | 960 320 02 21 | |
| Mercedes | A 960 320 02 21 | Actros MP4 |