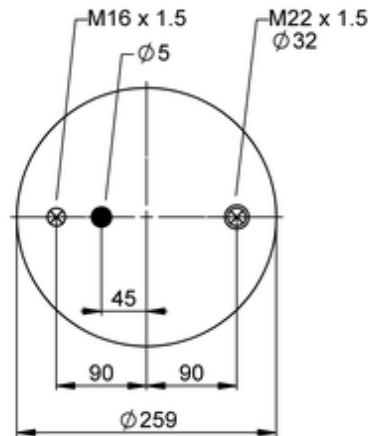
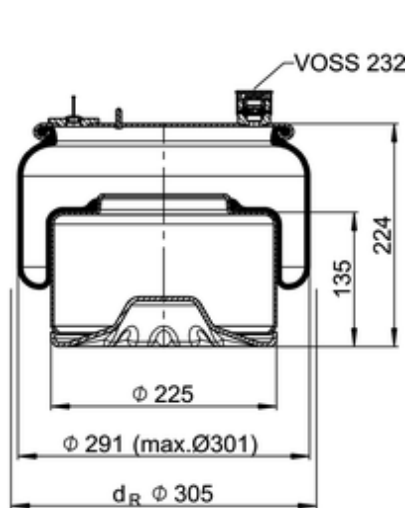


6126 N P40
74987


- bolt or stud
- hole
- combination stud
- air inlet
- stud and nut

	7,5 kg
	10087050
	M16x1.5: max. 20 Nm

OE Manufacturer/Part No.

Manufacturer	Original Part No.	Model
Mercedes	960 320 01 21	
Mercedes	A 960 320 01 21	Actros MP4