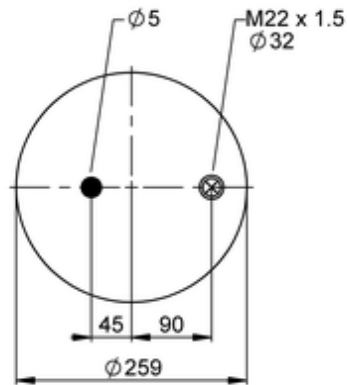
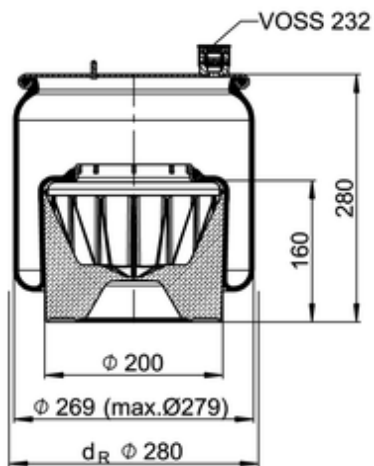





6122 N P46

74984



-  bolt or stud
-  hole
-  combination stud
-  air inlet
-  stud and nut

	5 kg
	10087047
	

OE Manufacturer/Part No.

Manufacturer	Original Part No.	Model
Mercedes	960 320 67 57	
Mercedes	960 320 70 21	
Mercedes	960 320 00 57	
Mercedes	960 320 51 57	
Mercedes	A 960 320 51 57	Actros MP4
Mercedes	A 960 320 00 57	Actros MP4
Mercedes	A 960 320 70 21	Actros MP4
Mercedes	A 960 320 67 57	Actros MP4

