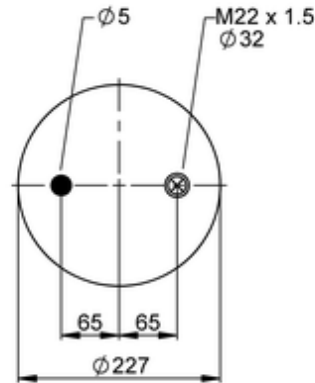
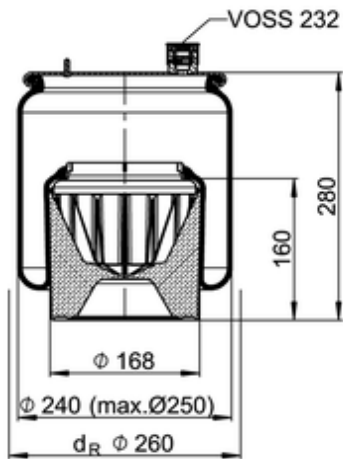










6121 N P44

74983



-  bolt or stud
-  hole
-  combination stud
-  air inlet
-  stud and nut

	4,5 kg
	10087046
	

OE Manufacturer/Part No.

Manufacturer	Original Part No.	Model
Mercedes	960 320 12 57	
Mercedes	960 320 15 57	
Mercedes	A 960 320 15 57	Actros MP4
Mercedes	A 960 320 12 57	Actros MP4