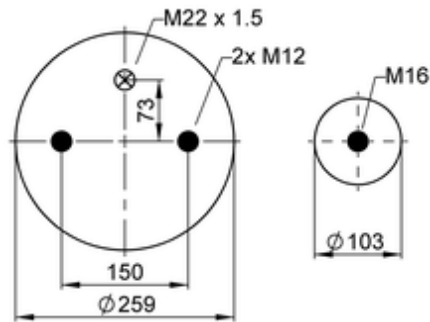
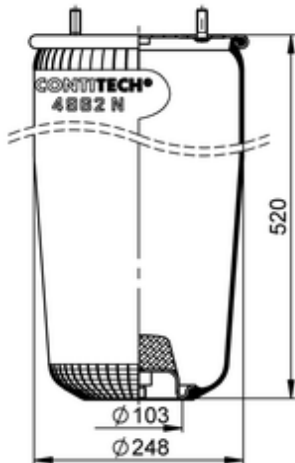


**4962 N P02**
**67261**


- bolt or stud
- hole
- combination stud
- air inlet
- stud and nut

	5,2 kg
	10086761
	K029
	M12: max. 70 Nm
	M16: max. 130 Nm
	M22x1.5: max. 20 Nm

**OE Manufacturer/Part No.**

Manufacturer	Original Part No.	Model
BPW	05.429.42.03.0	30
Schmitz	017 228	30