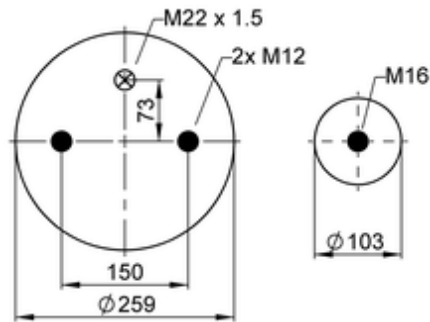
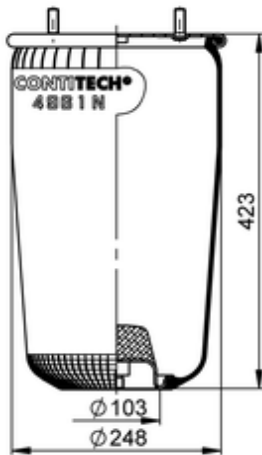


**4961 N P02**
**67260**


- bolt or stud
- hole
- combination stud
- air inlet
- stud and nut

		4,8 kg
		10086760
		K029
		M12: max. 70 Nm
		M16: max. 130 Nm
		M22x1.5: max. 20 Nm

**OE Manufacturer/Part No.**

Manufacturer	Original Part No.	Model
Scania	2198369	
BPW	05.429.42.04.0	30 K
Schmitz	751 345	30 K