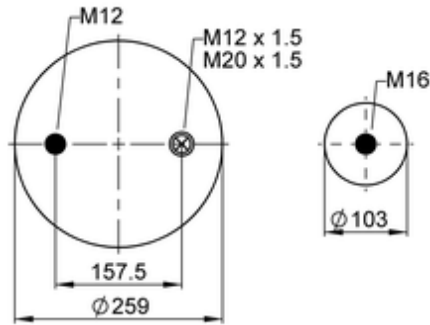
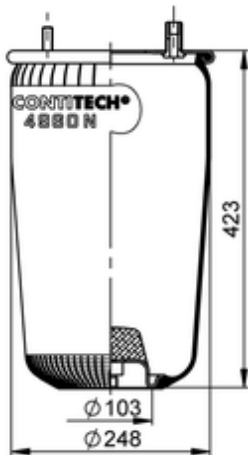


**4960 N P02**
**67259**


- bolt or stud
- hole
- combination stud
- air inlet
- stud and nut

	4,8 kg
	10086759
	K026
	M12: max. 70 Nm
	M16: max. 130 Nm
	M20x1.5: max. 20 Nm

**OE Manufacturer/Part No.**

Manufacturer	Original Part No.	Model
BPW	05.429.41.77.0	30 K