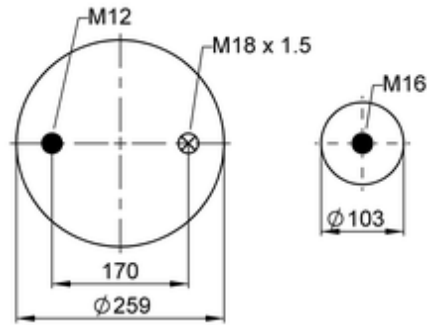
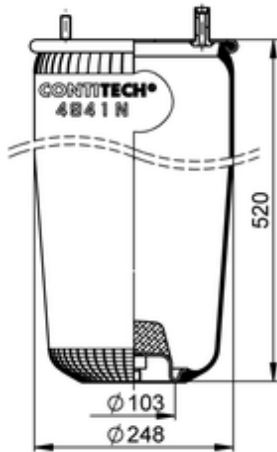


4941 N P02
67257


- bolt or stud
- hole
- combination stud
- air inlet
- stud and nut

	5,2 kg
	10086757
	K029
	M12: max. 70 Nm
	M16: max. 130 Nm
	M18x1.5: max. 20 Nm

OE Manufacturer/Part No.

Manufacturer	Original Part No.	Model
BPW	05.429.41.25.0	30