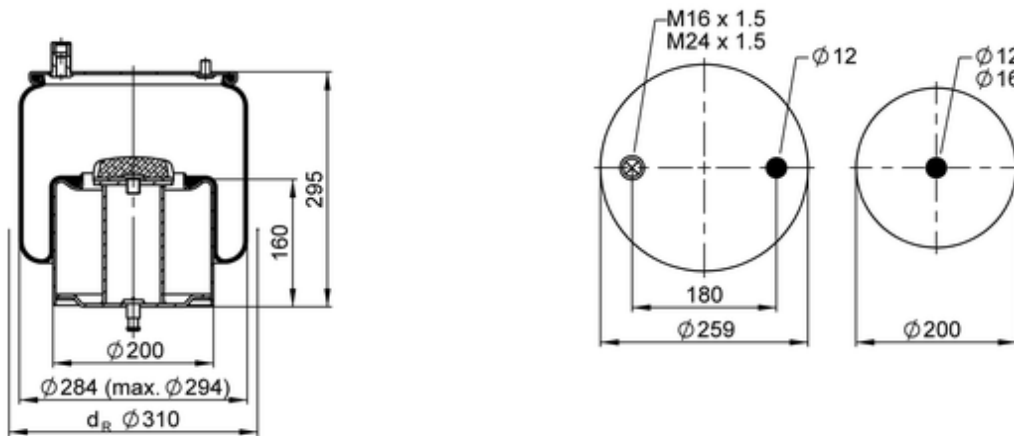


4919 N P01
70551


bolt or stud
 hole
 X combination stud
 + air inlet
 ● stud and nut

	9 kg
	10086885
	M16x1.5: max. 80 Nm
	M24x1.5: max. 120 Nm

OE Manufacturer/Part No.

Manufacturer	Original Part No.	Model
Volvo	21 978 490	
Volvo	20 735 220	
Renault	5.010.630.457	Premium / Magnum standard
Renault	7.421.978.484	Premium / Magnum standard
Renault	5.010.557.622	Premium / Magnum standard

