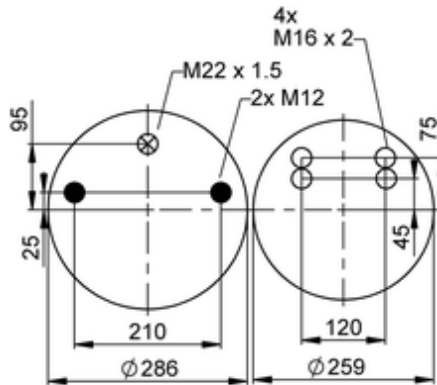
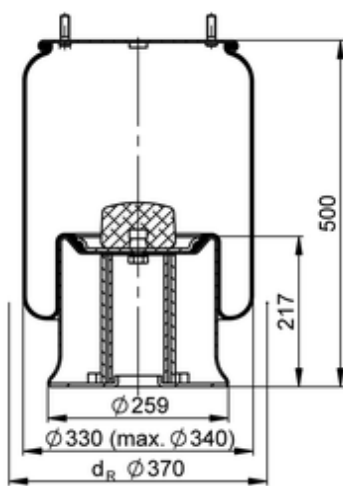


4913 N P06

602412



- bolt or stud
- hole
- combination stud
- air inlet
- stud and nut

	18,8 kg

OE Manufacturer/Part No.

Manufacturer	Original Part No.	Model
KRONE	515130564	
Gigant	703021671	