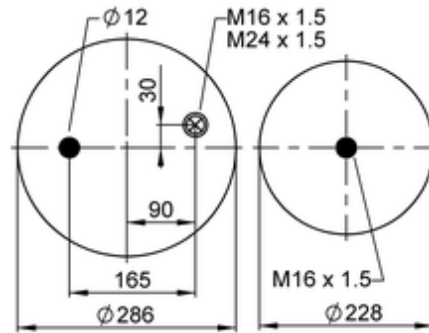
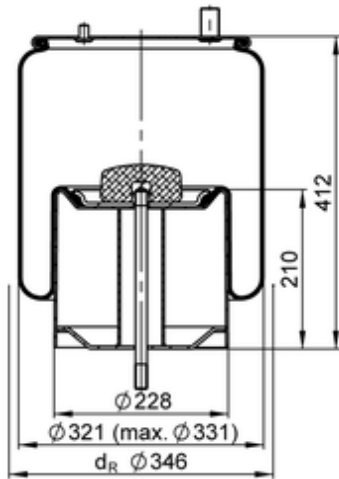


4912 N P10
67720


bolt or stud
 hole
 combination stud
 air inlet
 stud and nut

	13,6 kg
	10075579
	K018
	M16x1.5: max. 180 Nm
	M16x1.5: max. 80 Nm
	M24x1.5: max. 120 Nm

OE Manufacturer/Part No.

Manufacturer	Original Part No.	Model
Renault	5.010.557.355	Midlum 18t
Volvo	22 025 568	FM / FH standard
Renault	7.422.025.556	Premium / Magnum standard
Renault	5.010.557.355	Premium / Magnum standard

