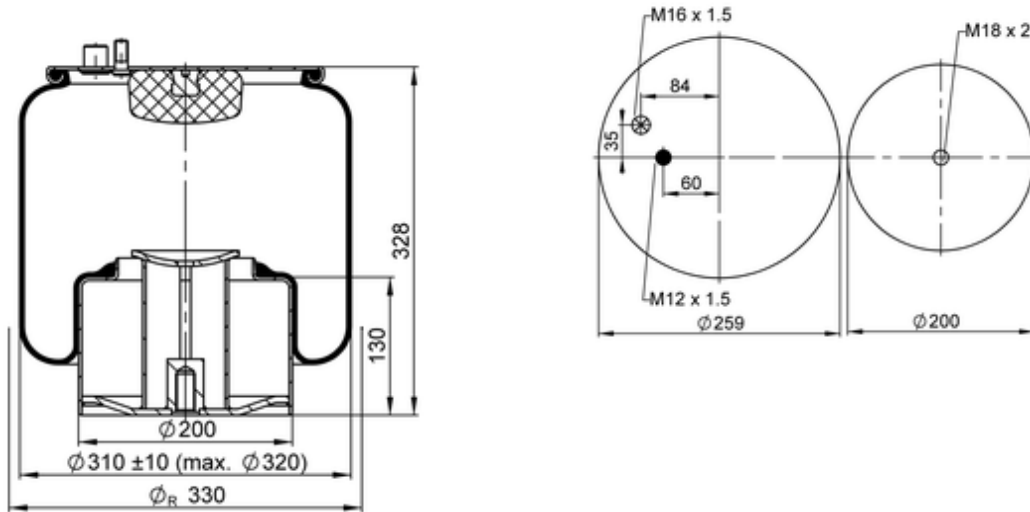


**4886 N P01**
**78124**


bolt or stud   
 hole   
 combination stud   
 air inlet   
 stud and nut

	10,1 kg
	K033
	M12x1.5: max. 40 Nm
	M16x1.5: max. 40 Nm
	M18x2: max. 270 Nm

**OE Manufacturer/Part No.**

Manufacturer	Original Part No.	Model
MAN	81.43600.6046	std frame