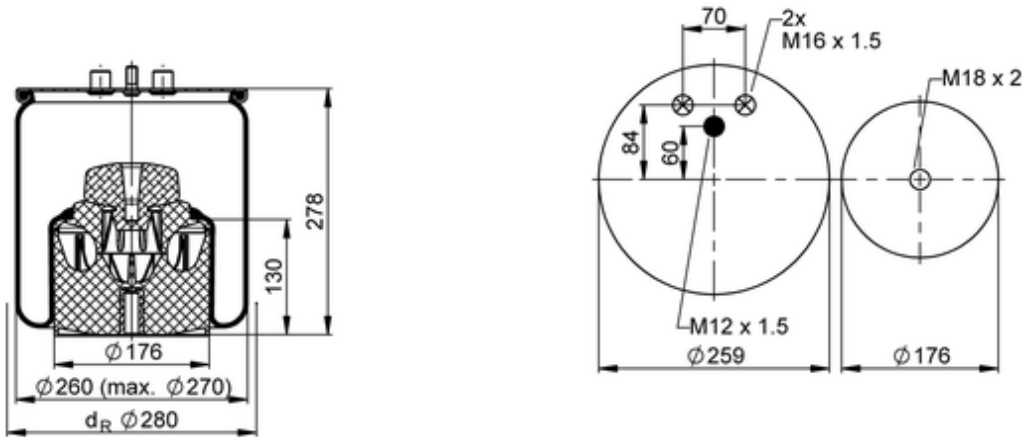


4882 N1 P25
602380


bolt or stud
 hole
 ⊗ combination stud
 ⊗ air inlet
 ⊙ stud and nut

	6,1 kg
	K033
	M12x1.5: max. 40 Nm
	M16x1.5: max. 40 Nm
	M18x2: max. 270 Nm

OE Manufacturer/Part No.

Manufacturer	Original Part No.	Model
MAN	81.43600.6067	