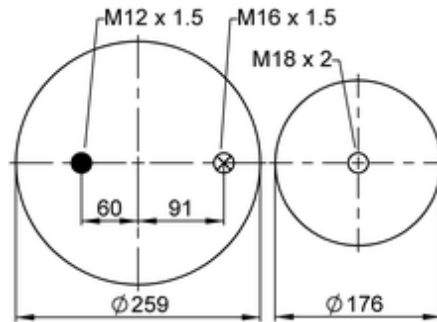
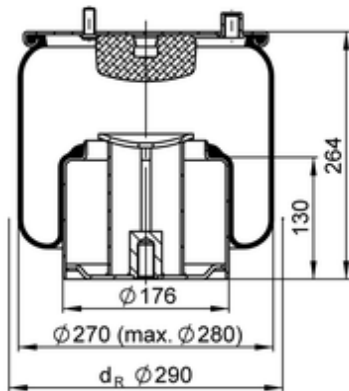



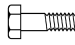






4862 N1 P02

76477



bolt or stud
 hole
 combination stud
 air inlet
 stud and nut

 kg	8,8 kg
	65718
	10087143
	K033
	
	M12x1.5: max. 40 Nm
	M16x1.5: max. 40 Nm
	M18x2: max. 180 Nm

OE Manufacturer/Part No.

Manufacturer	Original Part No.	Model
MAN	81.43600.6049	TG1 /TGL
MAN	81.43600.6049	TG1 /TGL

