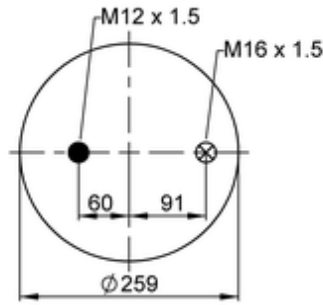
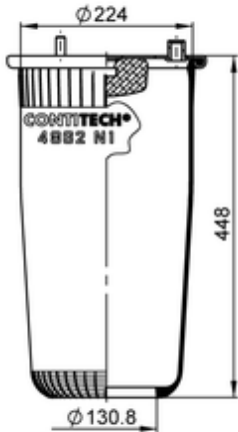


4862 N1 P01
76475


- bolt or stud
- hole
- combination stud
- air inlet
- stud and nut

	4,3 kg
	65717
	10087142
	M12x1.5: max. 40 Nm
	M16x1.5: max. 40 Nm

OE Manufacturer/Part No.

Manufacturer	Original Part No.	Model
MAN	81.43601.0168	TG1 /TGL
MAN	81.43601.0168	TG1 /TGL