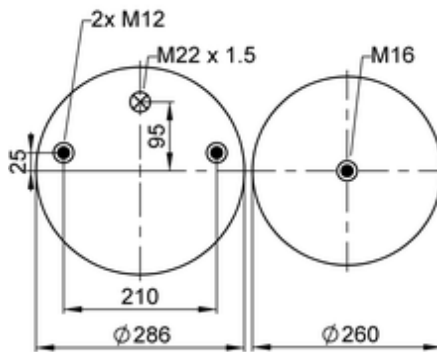
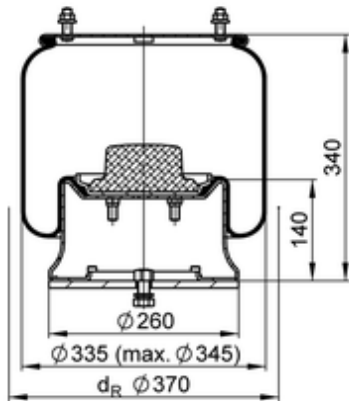


4810 N P08
67744


bolt or stud
 hole
 combination stud
 air inlet
 stud and nut

	16,5 kg
	10086797
	incl.
	M12: max. 70 Nm
	M16: max. 130 Nm
	M22x1.5: max. 60 Nm

OE Manufacturer/Part No.

Manufacturer	Original Part No.	Model
SAF - Holland	03229102700	
SAF - Holland	03228102700	
SAF - Holland	2918V P04 Intra	
SAF - Holland	3.228.1027.00	2918 V P04 Intra

