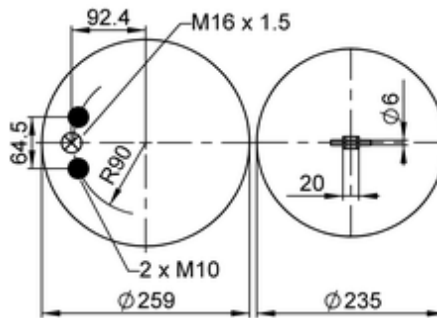
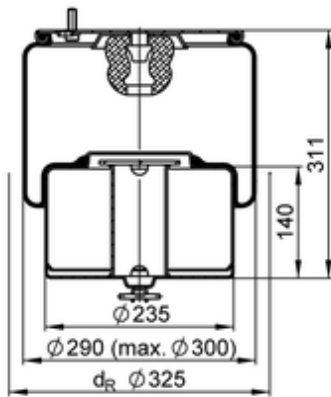


4420 N P01
62625


bolt or stud
 hole
 combination stud
 air inlet
 stud and nut

	9 kg
	K006
	M10: max. 35 Nm
	M16x1.5: max. 20 Nm

OE Manufacturer/Part No.

Manufacturer	Original Part No.	Model
Volvo	20 554 756	
Volvo	1 076 075	
Volvo	1 076 076	