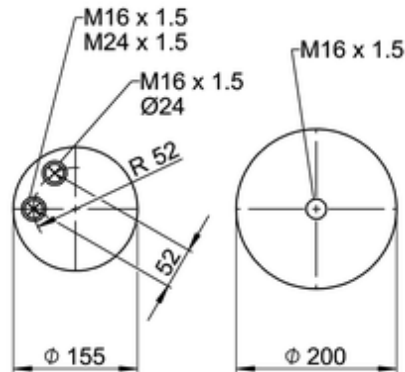
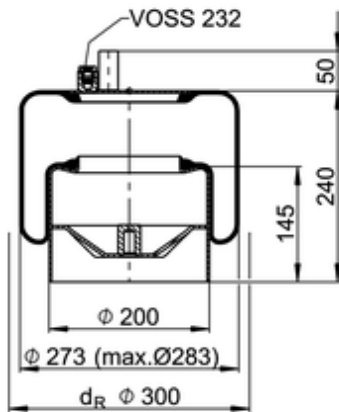


4391 N P22
600167


bolt or stud
 hole
 combination stud
 air inlet
 stud and nut

	6,4 kg
	63717
	10087330
	K036
	M16x1.5: max. 130 Nm
	M16x1.5: max. 20 Nm
	M24x1.5: max. 100 Nm

OE Manufacturer/Part No.

Manufacturer	Original Part No.	Model
Mercedes	942 320 07 21	
Mercedes	942 320 54 21	

Mercedes	A 942 320 07 21	Actros Low Liner
Mercedes	A 942 320 54 21	Actros Low Liner
Mercedes	A 942 320 54 21	Actros Low Liner
Mercedes	A 942 320 07 21	Actros Low Liner