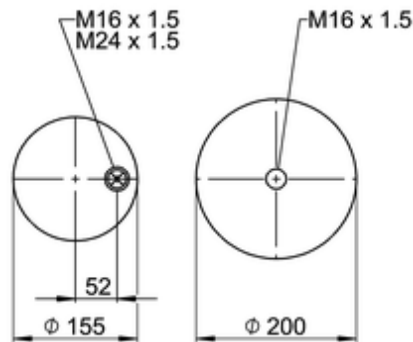
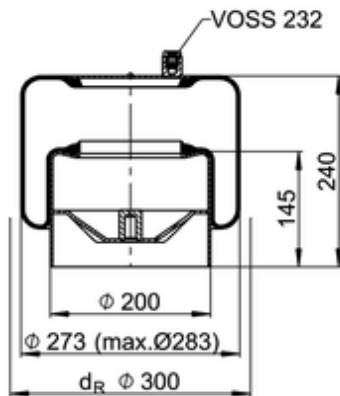







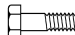





4391 N P21

63716



 bolt or stud
  hole
  combination stud
  air inlet
  stud and nut

	6,3 kg
	4391 N P01
	K021
	
	M16x1.5: max. 130 Nm
	M24x1.5: max. 100 Nm

OE Manufacturer/Part No.

Manufacturer	Original Part No.	Model
Mercedes	942 320 06 21	
Mercedes	942 320 53 21	
Mercedes	A 942 320 53 21	Actros Low Liner
Mercedes	A 942 320 06 21	Actros Low Liner
Mercedes	A 942 320 06 21	Actros Low Liner

Mercedes

A 942 320 53 21

Actros Low Liner

© 2024 ContiTech Deutschland GmbH, ALL RIGHTS RESERVED. <https://www.continental-industry.com/>